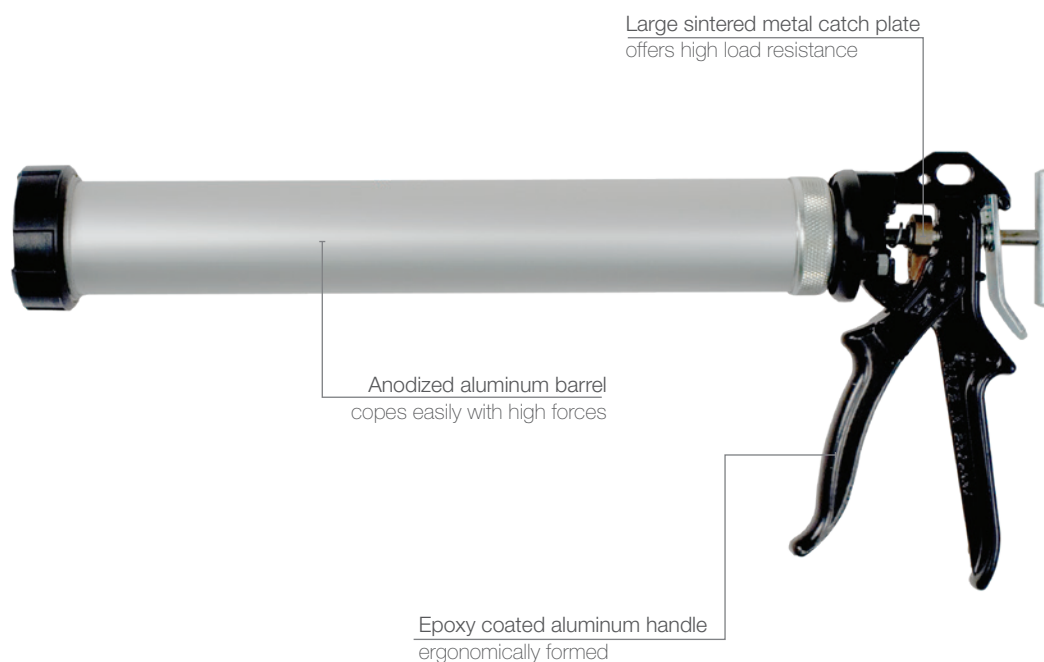




COX™ 1-Component Dispenser

UltraFlow™ Combi

A 1-component manual bead dispenser for 310/400mL cartridges and 310/400/600mL sachets.



Model shown: UltraFlow Combi 600mL

Product advantages

- Ergonomically formed epoxy coated aluminum handle
- Large sintered metal catch plate offers high load resistance
- Anodized aluminum barrel copes easily with high forces

Customer benefits

- Powerful 25:1 trigger ratio for easy application
- Metal wear compensation sleeve protects the catch plate contact area increasing tool life
- Hardened rod and release plate maintains high material output
- Plated metal parts increase corrosion resistance

Applications

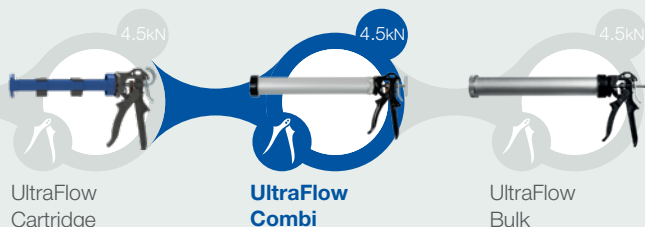


Sealing



Bonding

Product by range



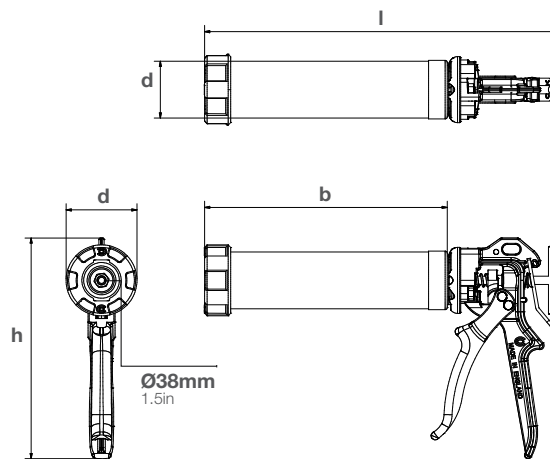
The **COX UltraFlow Combi** is part of a range of high-powered manual dispensers. Designed for use with medium to high viscosity sealants and adhesives.

Specifications

- Weight: 1.0-1.1kg / 2.2-2.5lbs
- Barrel Length: 342mm-482mm / 13.5in-19.0in
- Maximum Thrust: 4.5kN
- Handle Material: Epoxy Coated Aluminum
- Barrel Material: Anodized Aluminum
- Tool Component Approvals: REACH
- Cartridge Capacity: 310mL (10.5oz), 400mL (13.5oz)
- Sachet Capacity: 310mL (10.5oz), 400mL (13.5oz), 600mL (20.3oz)
- Mechanical Advantage Ratio: (25:1)
- Standard Color: Black/Grey
- Nozzle Dimension: \varnothing 38mm / 1.5in
- Customized versions on demand

Dimensions (mm/in)

product	height (h)	length (l)	depth (d)	barrel (b)
Combi 310	213 /8.4	342 /13.5	69 /2.7	235 /9.3
Combi 400	213 /8.4	389 /15.3	69 /2.7	285 /11.2
Combi 600	213 /8.4	482 /19.0	69 /2.7	376 /14.8



Part number:

Combi 310
Combi 400
Combi 600

Article number:

BF1000 (51000-2T for US)
BF2000
BF4001 (51001-2T for US)

Packaging:

1 or 5/10 per Box (1 per Box for US)
1 or 5/10 per Box
1 or 5/10 per Box (1 per Box for US)

Matching MIXPAC™ cartridges

Compatible cartridges and sachets

150mL Red Cap 1:1 and 10:1 Co-axial	150mL Black Cap 1:1 and 10:1 Co-axial	310mL Plastic Cartridge	310mL Sachet	400mL Plastic Cartridge	400mL Sachet	600mL Sachet
mm inch	mm inch	mm inch	mm inch	mm inch	mm inch	mm inch
a 118.5 4.67	a 117.0 4.61	a 215.0 8.46	a 220.0 8.66	a 250.0 9.84	a 258.0 10.16	a 335.0 13.19
b \varnothing 49.3 \varnothing 1.94	b \varnothing 50.6 \varnothing 1.99	b \varnothing 50.0 \varnothing 1.97	b \varnothing 50.0 \varnothing 1.97	b \varnothing 50.0 \varnothing 1.97	b \varnothing 50.0 \varnothing 1.97	b \varnothing 50.0 \varnothing 1.97

Conversion kits

Matching accessories

White Cone / Yellow Cone on page 90-95.