

LES FACILITAMOS HOJA TÉCNICA

www.comprarpegamento.com

pegamento@comprarpegamento.com



MK™ 1-Component Dispenser

H40 PS

A 1-component manual bead dispenser for 310mL cartridges.



Model shown: H40 PS 310mL

Product advantages

- Soft grip handle for comfortable use
- Anti-drip and trigger integrated brake release
- U-opening with cartridge snap fit
- Reinforced nylon cartridge holder with cartridge snap fit

Customer benefits

- Long life technology
- 360° rotation for easy access in tight spaces
- Automatic cartridge positioning and fixation
- Easy to use and clean application
- Lightweight fatigue free
- One hand operation

Applications



Sealing



Bonding

Product by range

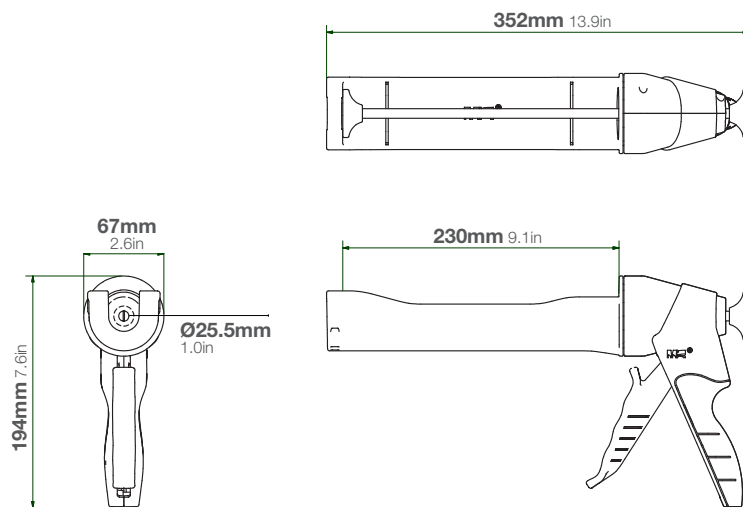


The **MK H40 PS** is part of a range of manual dispensers. Designed for use with medium viscosity sealants and adhesives.

Specifications

- Lightweight: 0.60kg / 1.3lbs
- Frame Length: 230mm / 9.1in
- Maximum Thrust: 2.5kN (stroke 6.5mm)
- Handle Material: Reinforced Nylon
- Frame Material: Reinforced Nylon
- Cartridge Capacity: 310mL
- Standard Color: Black/Grey/Red
- Nozzle Dimension: $\varnothing 25.5\text{mm}$ / 1.0in
- Customized versions on demand

Dimensions



Part number:

DM1 310-25-500

Article number:

151743

Packaging:

Bulk packed with 10 units

Matching MIXPAC™ cartridges

Compatible cartridges



310mL Plastic Cartridge

	mm	inch
a	215.0	8.46
b	$\varnothing 50.0$	$\varnothing 1.97$

Conversion kits

Matching accessories

Nozzle extension / Twisty nozzle on pages 54-55